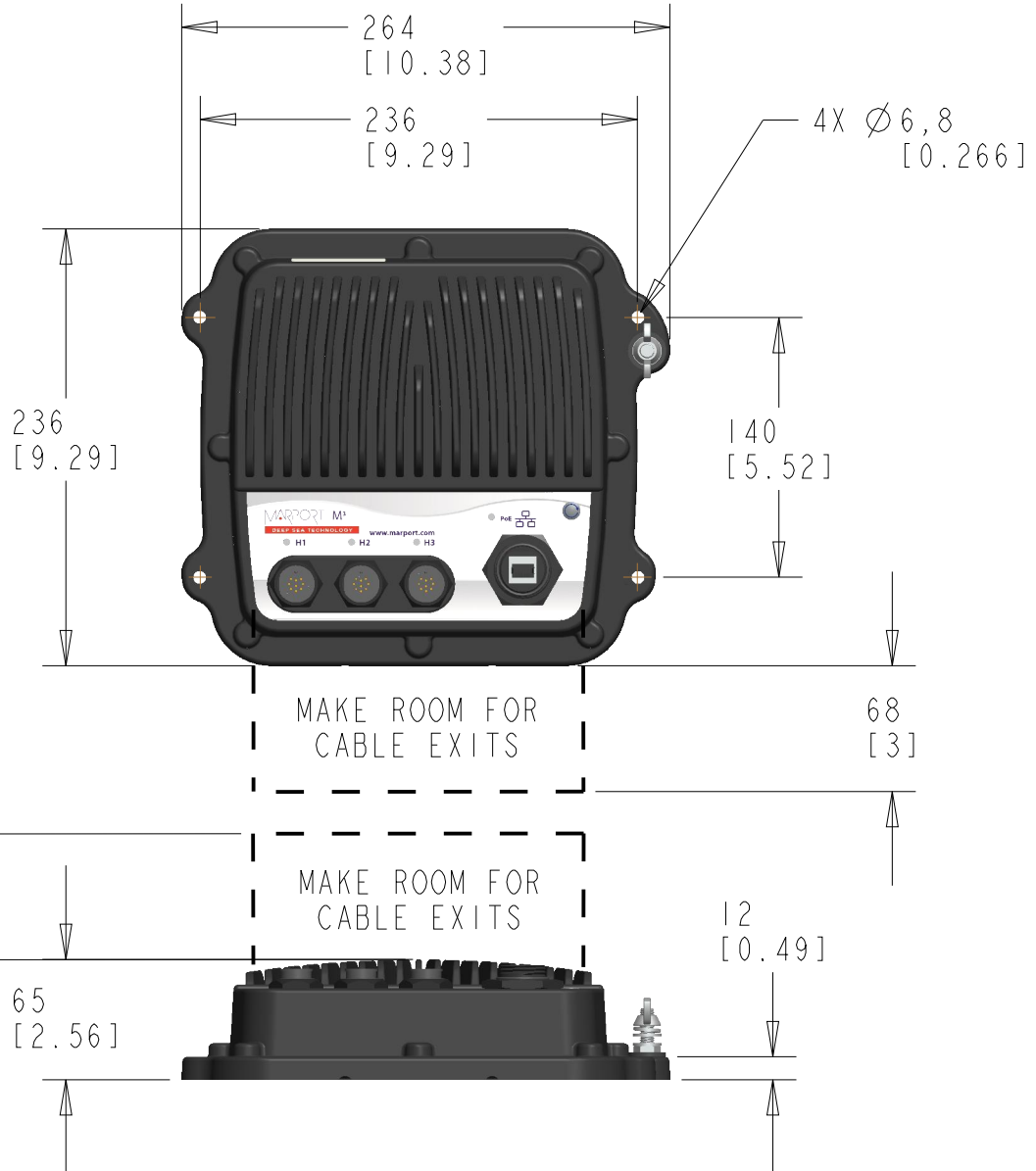



THIRD ANGLE PROJECTION		REVISIONS			
	REV	DESCRIPTION	ECO NO	DATE	CHG/CHK
	A	PRELIMINARY RELEASE.		06/10/15	RMC



UNLESS OTHERWISE SPECIFIED		SIGNATURE	DATE	 AIRMAR TECHNOLOGY CORPORATION 35 MEADOWBROOK DR MILFORD NH 03055-4613 USA TEL: 603-673-9570 FAX: 603-673-4624
DIMENSIONS ARE IN MM		DRAWN: R.CULLEN	06/10/15	
TOLERANCES ON:		CHECKED:		TITLE OUTLINE DRAWING MARPORT M3 RECEIVER
0 PL DECIMALS: ±1		APPROVED:		
1 PL DECIMALS: ±0.5				
ANGLES: ±1/2°				SIZE: A SCALE: 1:4 SHEET 1 OF 1
MATERIAL BLACK PAINTED ALUMINUM HOUSING, BLACK PAINTED STEEL BACK COVER, STAINLESS STEEL HARDWARE AND PLASTIC CONNECTORS				NUMBER 92-XXX-01 REV A
THIS DOCUMENT AND THE DATA DISCLOSED HEREIN OR HEREWITH IS NOT TO BE REPRODUCED, USED, OR DISCLOSED IN WHOLE OR IN PART TO ANYONE WITHOUT THE PERMISSION OF AIRMAR.				CRITICAL DIMENSION DO NOT SCALE DRAWING